

Series 501-37



Recommended Base Application

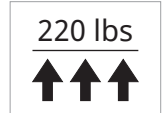
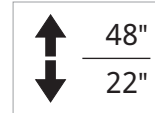
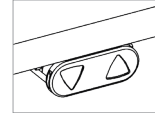


501-37, Striking open design and exceptional pricing.

The super reliable 3 stage frame is tested and approved to comply with ANSI/Bifma x5.5-2014.

With deep stock and huge flexibility it all adds up to the best value proposition on the market.

View links in PDF for more information.



| | | | |
|--|---|--|---|
| <p>36"</p>  <p>24"</p> <ul style="list-style-type: none"> 501-37 8B 082 501-37 8S 082 501-37 8W 082 | <p>42"</p>  <p>24"</p> <ul style="list-style-type: none"> 501-37 8B 092 501-37 8S 092 501-37 8W 092 | <p>48"</p>  <p>24"</p> <ul style="list-style-type: none"> 501-37 8B 112 501-37 8S 112 501-37 8W 112 | <p>54"</p>  <p>24"</p> <ul style="list-style-type: none"> 501-37 8B 129 501-37 8S 129 501-37 8W 129 |
| <p>36"</p>  <p>30"</p> <ul style="list-style-type: none"> 501-37 8B 082 501-37 8S 082 501-37 8W 082 | <p>42"</p>  <p>30"</p> <ul style="list-style-type: none"> 501-37 8B 092 501-37 8S 092 501-37 8W 092 | <p>48"</p>  <p>30"</p> <ul style="list-style-type: none"> 501-37 8B 112 501-37 8S 112 501-37 8W 112 | <p>54"</p>  <p>30"</p> <ul style="list-style-type: none"> 501-37 8B 129 501-37 8S 129 501-37 8W 129 |
| <p>60"</p>  <p>24"</p> <ul style="list-style-type: none"> 501-37 8B 142 501-37 8S 142 501-37 8W 142 | <p>66"</p>  <p>24"</p> <ul style="list-style-type: none"> 501-37 8B 152 501-37 8S 152 501-37 8W 152 | <p>72"</p>  <p>24"</p> <ul style="list-style-type: none"> 501-37 8B 172 501-37 8S 172 501-37 8W 172 | <p>84"</p>  <p>24"</p> <ul style="list-style-type: none"> 501-37 8B 172 501-37 8S 172 501-37 8W 172 |
| <p>60"</p>  <p>30"</p> <ul style="list-style-type: none"> 501-37 8B 142 501-37 8S 142 501-37 8W 142 | <p>66"</p>  <p>30"</p> <ul style="list-style-type: none"> 501-37 8B 152 501-37 8S 152 501-37 8W 152 | <p>72"</p>  <p>30"</p> <ul style="list-style-type: none"> 501-37 8B 172 501-37 8S 172 501-37 8W 172 | <p>84"</p>  <p>30"</p> <ul style="list-style-type: none"> 501-37 8B 172 501-37 8S 172 501-37 8W 172 |

Series 501-37



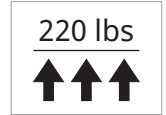
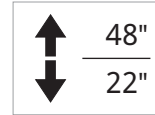
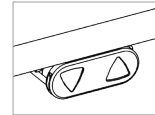
Recommended Base Application

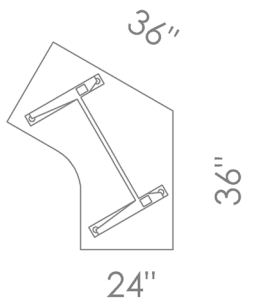
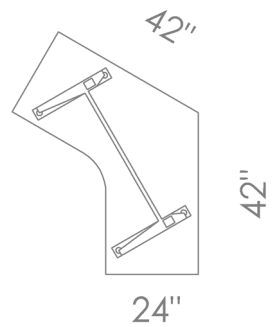
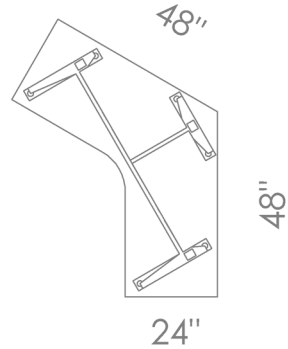













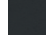




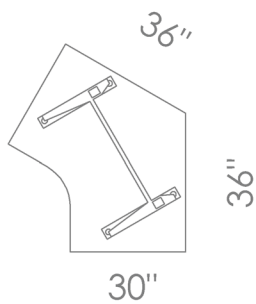
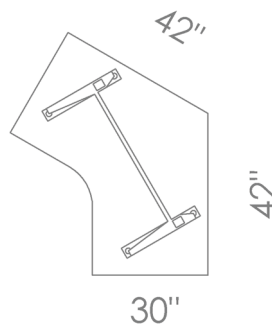
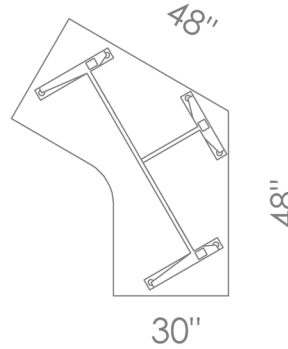
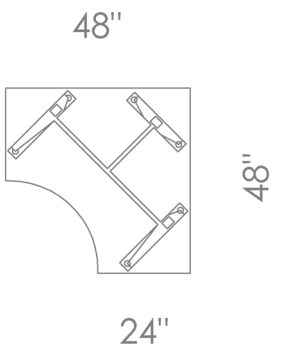


























501-37, Striking open design and exceptional pricing.

The super reliable 3 stage frame is tested and approved to comply with ANSI/Bifma x5.5-2014. With deep stock and huge flexibility it all adds up to the best value proposition on the market.

View links in PDF for more information.



| | | | |
|--|--|---|---|
|  <p>36" 36" 24"</p> |  <p>42" 42" 24"</p> |  <p>48" 48" 24"</p> | |
| <ul style="list-style-type: none">  501-37 8B092   501-37 8S092   501-37 8W092  | <ul style="list-style-type: none">  501-37 8B112   501-37 8S112   501-37 8W112  | <ul style="list-style-type: none">  501-37 8B152-091C   501-37 8S152-091C   501-37 8W152-091C  | |
|  <p>36" 36" 30"</p> |  <p>42" 42" 30"</p> |  <p>48" 48" 30"</p> |  <p>48" 48" 24"</p> |
| <ul style="list-style-type: none">  501-37 8B092   501-37 8S092   501-37 8W092  | <ul style="list-style-type: none">  501-37 8B112   501-37 8S112   501-37 8W112  | <ul style="list-style-type: none">  501-37 8B152-091C   501-37 8S152-091C   501-37 8W152-091C  | <ul style="list-style-type: none">  501-37 8B112-091C   501-37 8S112-091C   501-37 8W112-091C  |

Series 501-37



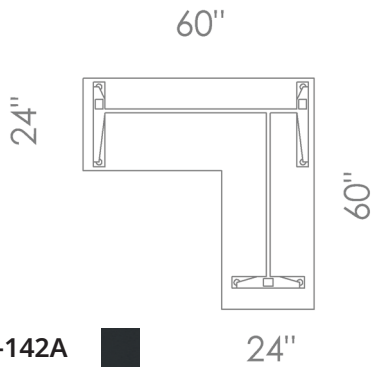
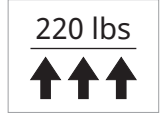
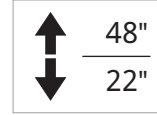
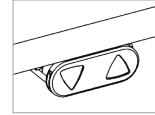
Recommended Base Application



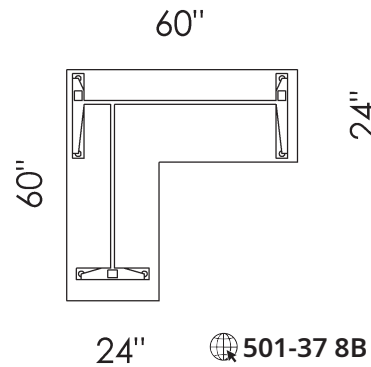
501-37, Striking open design and exceptional pricing.

The super reliable 3 stage frame is tested and approved to comply with ANSI/Bifma x5.5-2014. With deep stock and huge flexibility it all adds up to the best value proposition on the market.

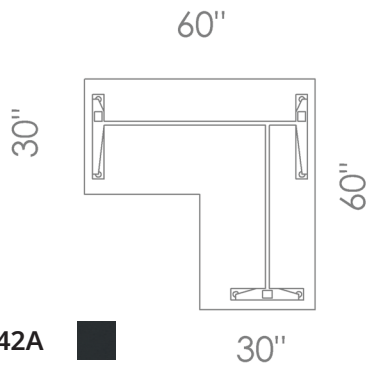
View links in PDF for more information.



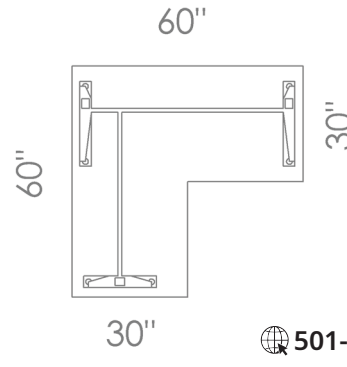
- 501-37 8B 142-142A
- 501-37 8S 142-142A
- 501-37 8W 142-142A



- 501-37 8B 142-142A
- 501-37 8S 142-142A
- 501-37 8W 142-142A



- 501-37 8B 142-142A
- 501-37 8S 142-142A
- 501-37 8W 142-142A



- 501-37 8B 142-142A
- 501-37 8S 142-142A
- 501-37 8W 142-142A

Series 501-37



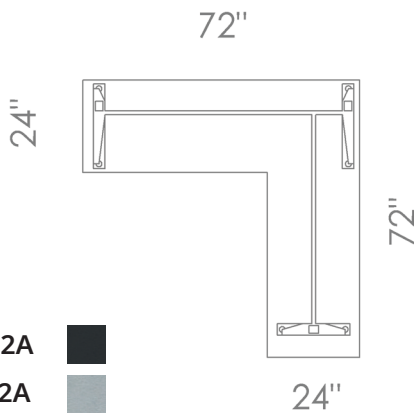
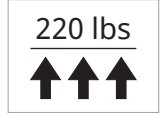
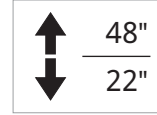
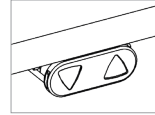
Recommended Base Application



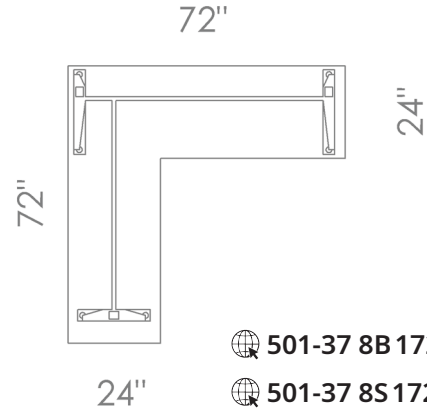
501-37, Striking open design and exceptional pricing.

The super reliable 3 stage frame is tested and approved to comply with ANSI/Bifma x5.5-2014. With deep stock and huge flexibility it all adds up to the best value proposition on the market.

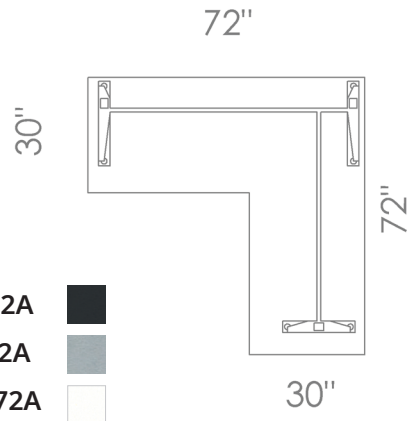
View links in PDF for more information.



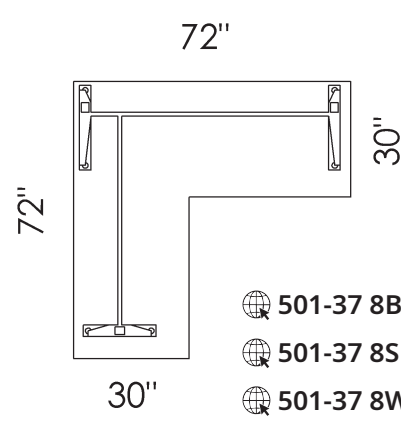
- 501-37 8B 172-172A
- 501-37 8S 172-172A
- 501-37 8W 172-172A



- 501-37 8B 172-172A
- 501-37 8S 172-172A
- 501-37 8W 172-172A



- 501-37 8B 172-172A
- 501-37 8S 172-172A
- 501-37 8W 172-172A



- 501-37 8B 172-172A
- 501-37 8S 172-172A
- 501-37 8W 172-172A

Series 501-37



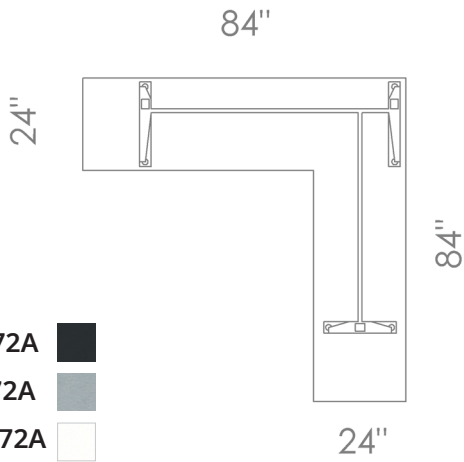
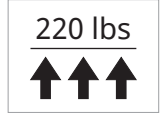
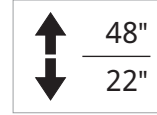
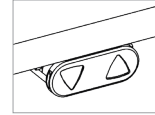
Recommended Base Application



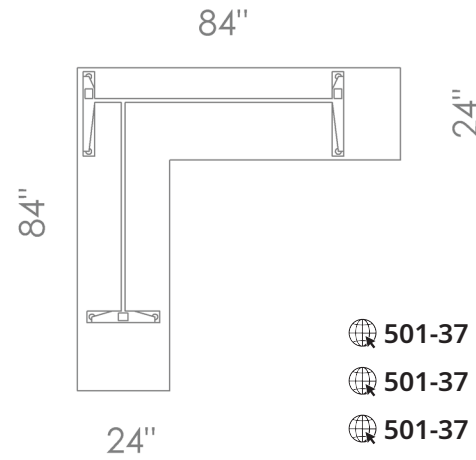
501-37, Striking open design and exceptional pricing.

The super reliable 3 stage frame is tested and approved to comply with ANSI/Bifma x5.5-2014. With deep stock and huge flexibility it all adds up to the best value proposition on the market.

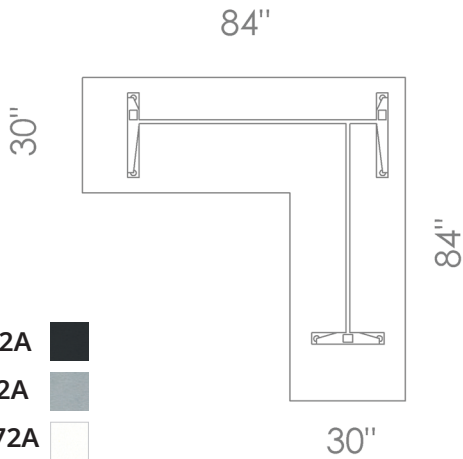
View links in PDF for more information.



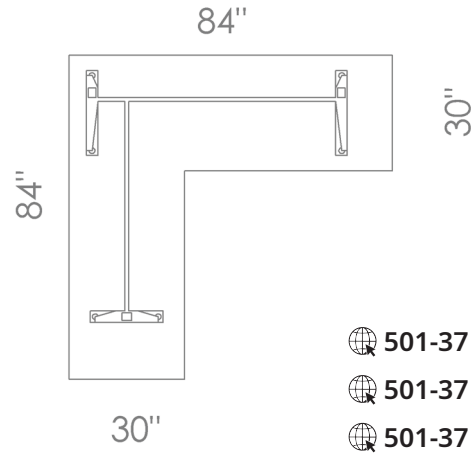
- 501-37 8B 172-172A
- 501-37 8S 172-172A
- 501-37 8W 172-172A



- 501-37 8B 172-172A
- 501-37 8S 172-172A
- 501-37 8W 172-172A



- 501-37 8B 172-172A
- 501-37 8S 172-172A
- 501-37 8W 172-172A



- 501-37 8B 172-172A
- 501-37 8S 172-172A
- 501-37 8W 172-172A

Series 501-37



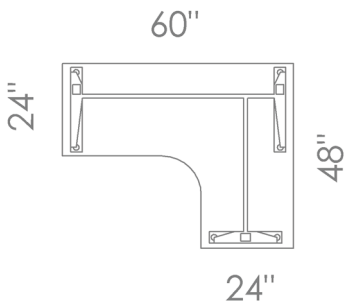
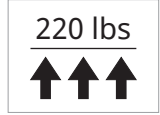
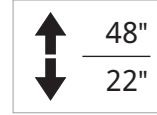
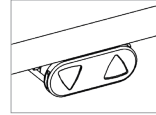
Recommended Base Application



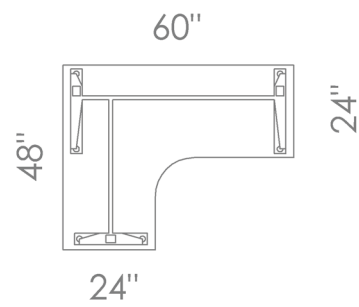
501-37, Striking open design and exceptional pricing.

The super reliable 3 stage frame is tested and approved to comply with ANSI/Bifma x5.5-2014. With deep stock and huge flexibility it all adds up to the best value proposition on the market.

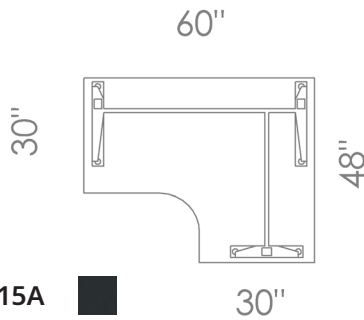
View links in PDF for more information.



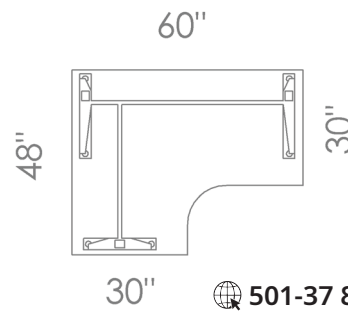
- 501-37 8B 142-115A
- 501-37 8S 142-115A
- 501-37 8W 142-115A



- 501-37 8B 142-115A
- 501-37 8S 142-115A
- 501-37 8W 142-115A



- 501-37 8B 142-115A
- 501-37 8S 142-115A
- 501-37 8W 142-115A



- 501-37 8B 142-115A
- 501-37 8S 142-115A
- 501-37 8W 142-115A

Series 501-37



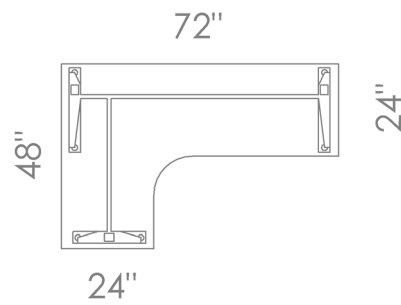
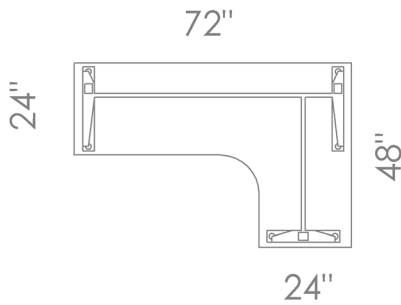
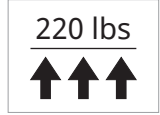
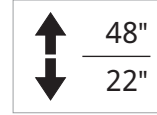
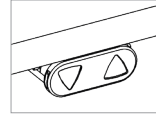
Recommended Base Application



501-37, Striking open design and exceptional pricing.

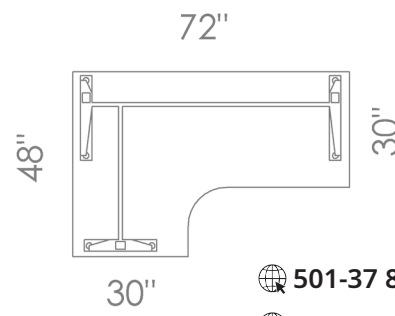
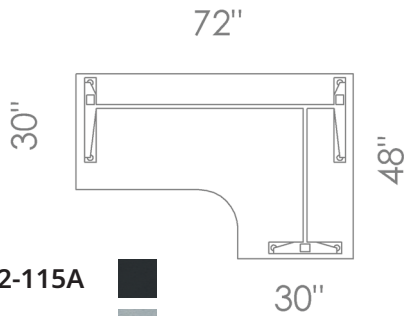
The super reliable 3 stage frame is tested and approved to comply with ANSI/Bifma x5.5-2014. With deep stock and huge flexibility it all adds up to the best value proposition on the market.

View links in PDF for more information.



- 501-37 8B 172-115A
- 501-37 8S 172-115A
- 501-37 8W 172-115A

- 501-37 8B 172-115A
- 501-37 8S 172-115A
- 501-37 8W 172-115A



- 501-37 8B 172-115A
- 501-37 8S 172-115A
- 501-37 8W 172-115A

- 501-37 8B 172-115A
- 501-37 8S 172-115A
- 501-37 8W 172-115A

Series 501-37



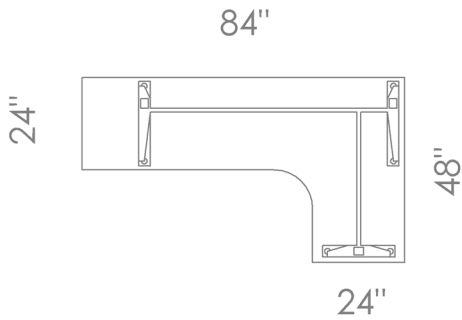
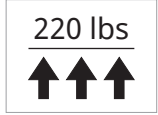
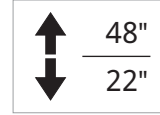
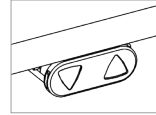
Recommended Base Application



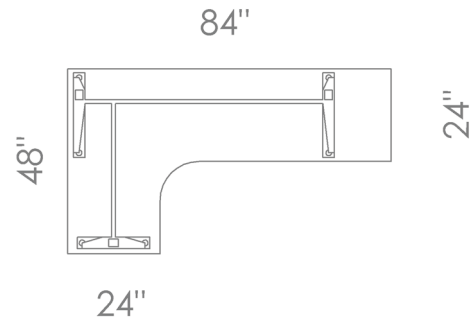
501-37, Striking open design and exceptional pricing.

The super reliable 3 stage frame is tested and approved to comply with ANSI/Bifma x5.5-2014. With deep stock and huge flexibility it all adds up to the best value proposition on the market.

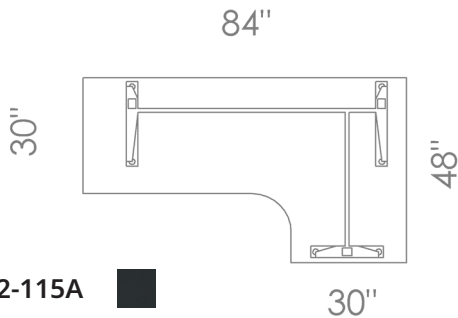
View links in PDF for more information.



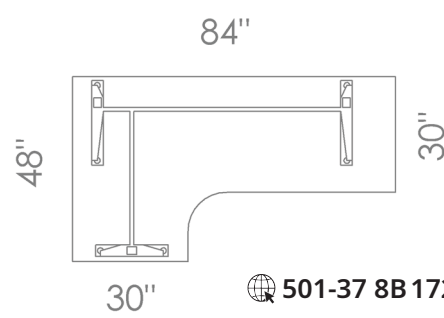
- 501-37 8B 172-115A
- 501-37 8S 172-115A
- 501-37 8W 172-115A



- 501-37 8B 172-115A
- 501-37 8S 172-115A
- 501-37 8W 172-115A



- 501-37 8B 172-115A
- 501-37 8S 172-115A
- 501-37 8W 172-115A



- 501-37 8B 172-115A
- 501-37 8S 172-115A
- 501-37 8W 172-115A