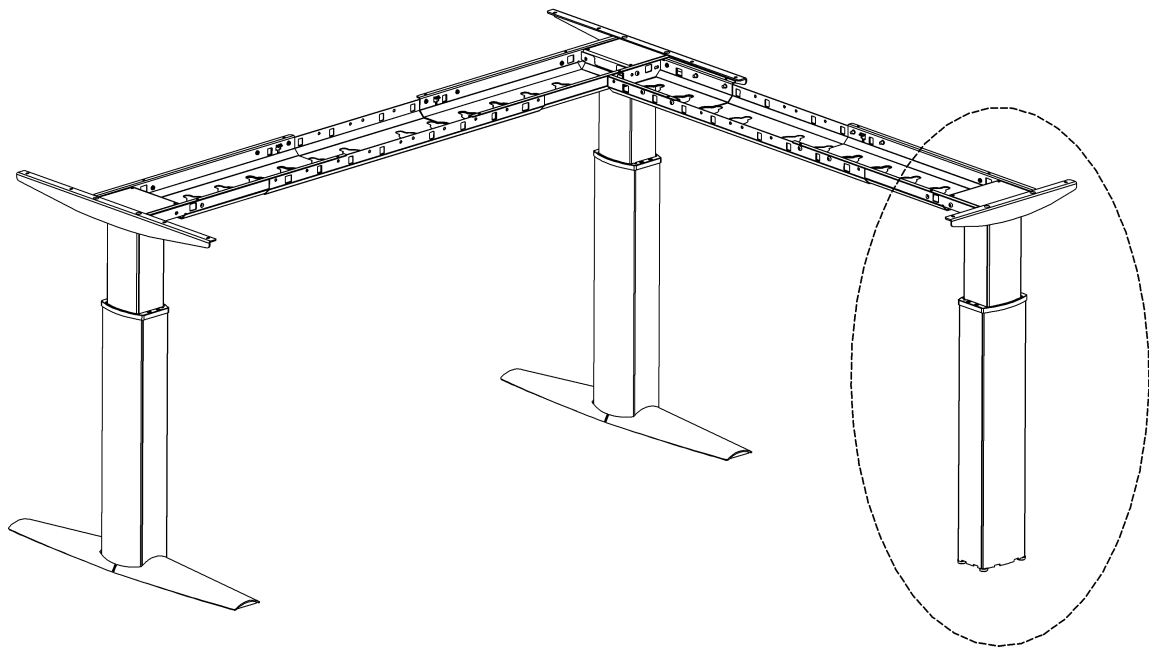


501-23

Original

352480.0

EN - Assembly Instruction and User Manual (Page 2)



1. Parts

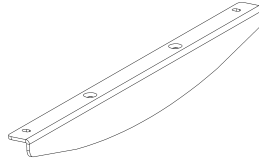
EN

Ⓐ Lifting column



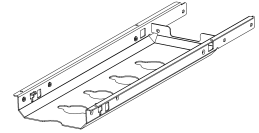
x1

Ⓑ Tabletop support



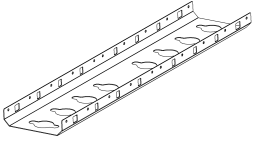
x1

Ⓒ Travers end section



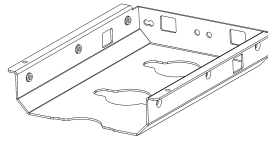
x1

Ⓓ Travers middle section



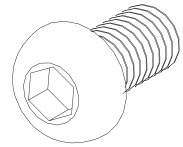
x1

Ⓔ Travers small end section



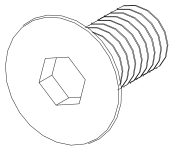
x1

Ⓕ Screw M6x12mm



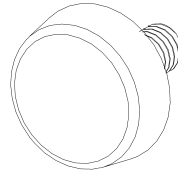
x16

Ⓖ Screw M6x12mm



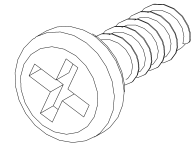
x2

Ⓖ Adjustable glide



x4

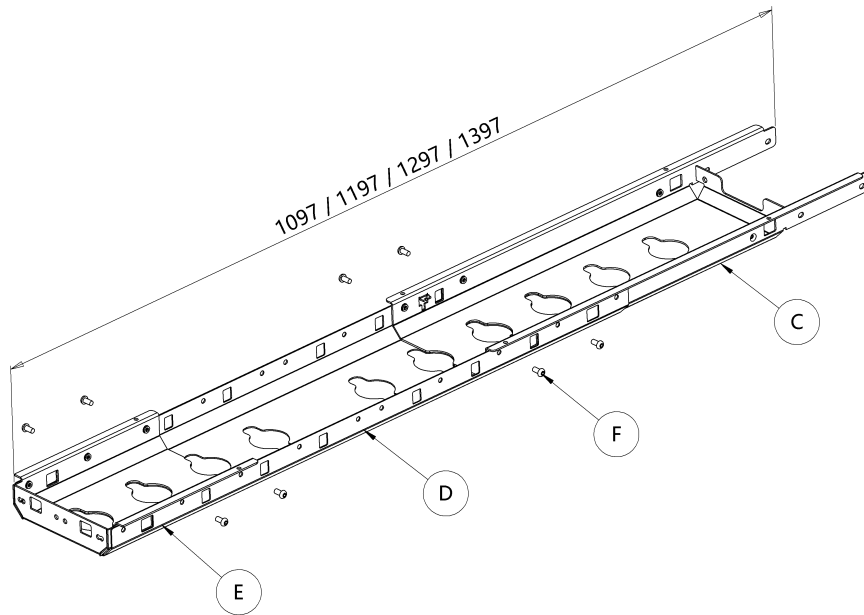
Ⓙ Wooden screw 5x16mm



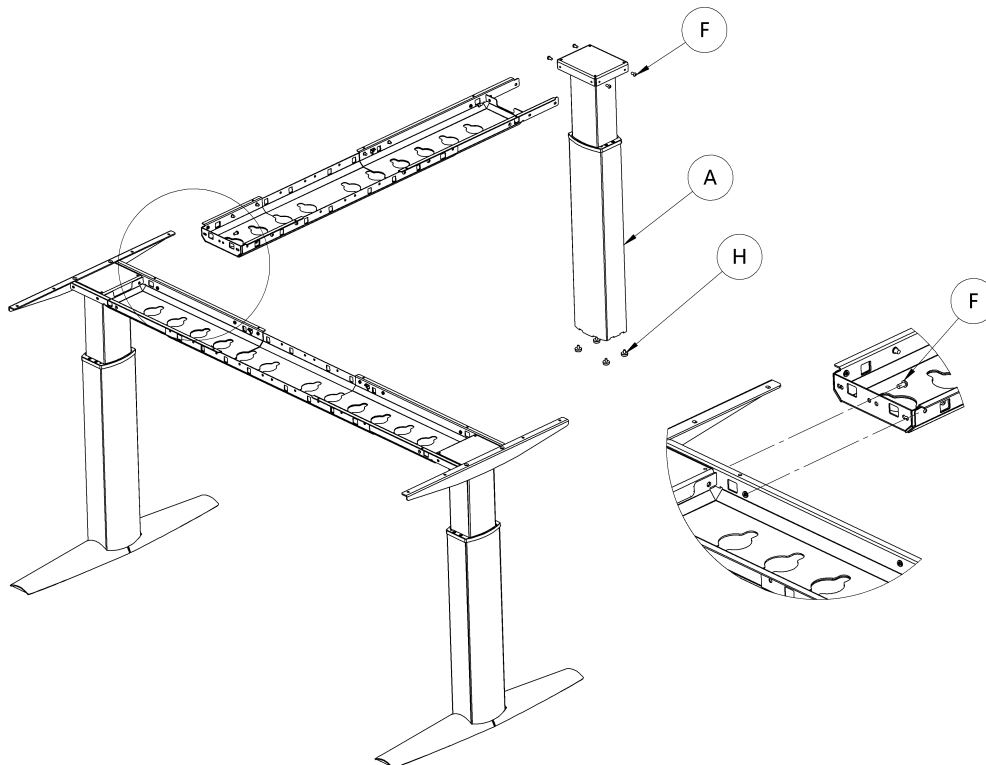
x8

2. Assembly Instruction and User Manual

1 Travers assembly

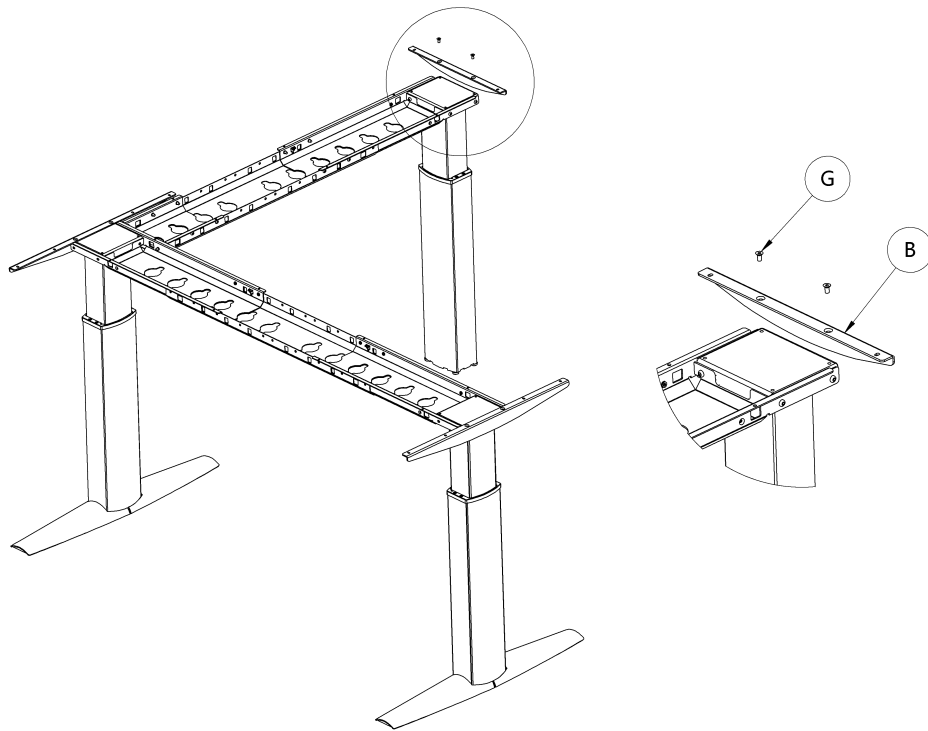


2 Column to travers

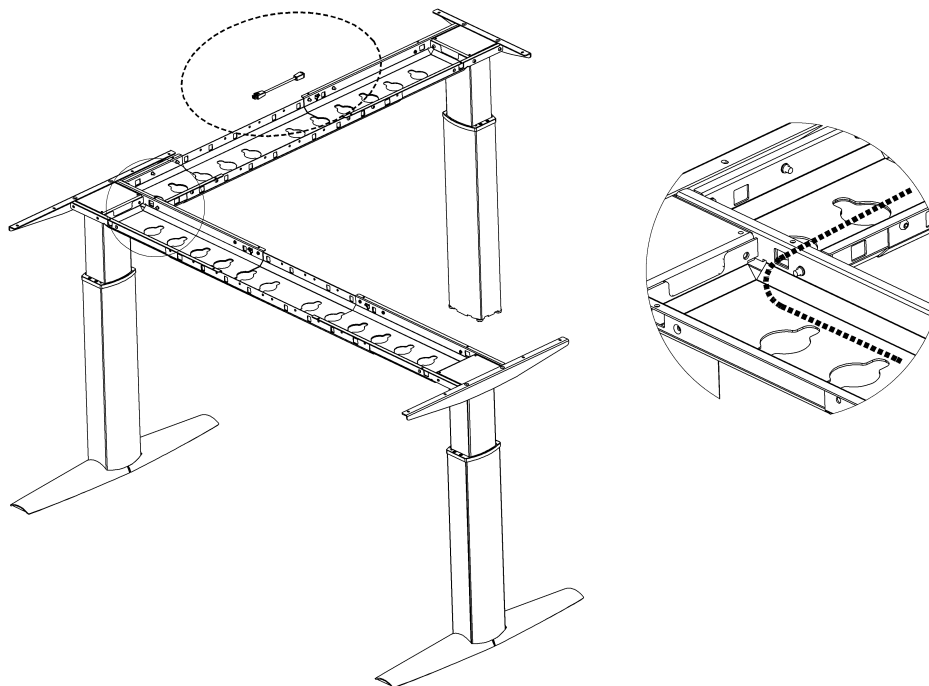


! It is important to tighten all screws to get best possible stability.

3 Top bracket assy



4 Wiring



! See also user manual packed along the Power and Control components.