

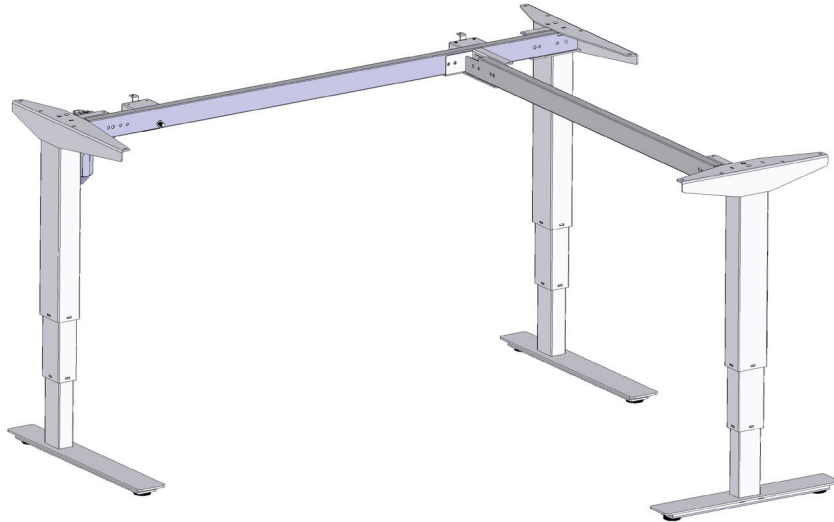


EN  
Page 2

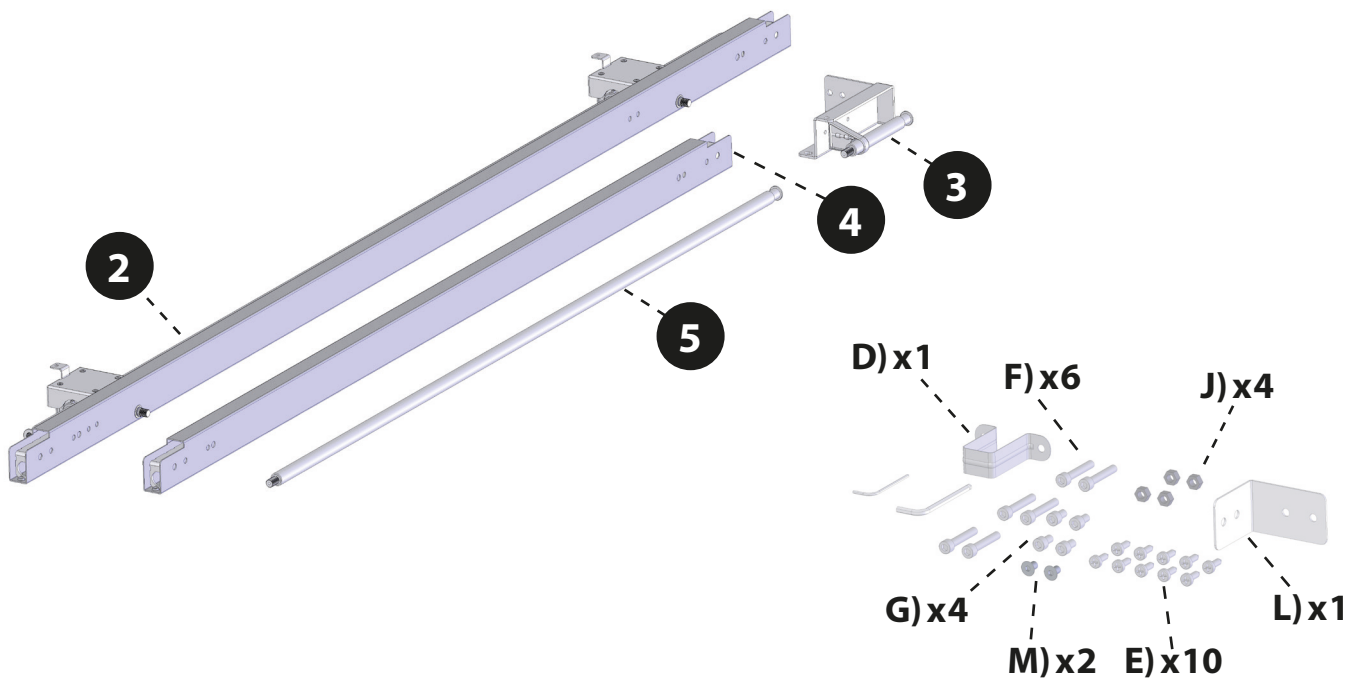
## Assembly instruction

### SQ147250 - SQ147280

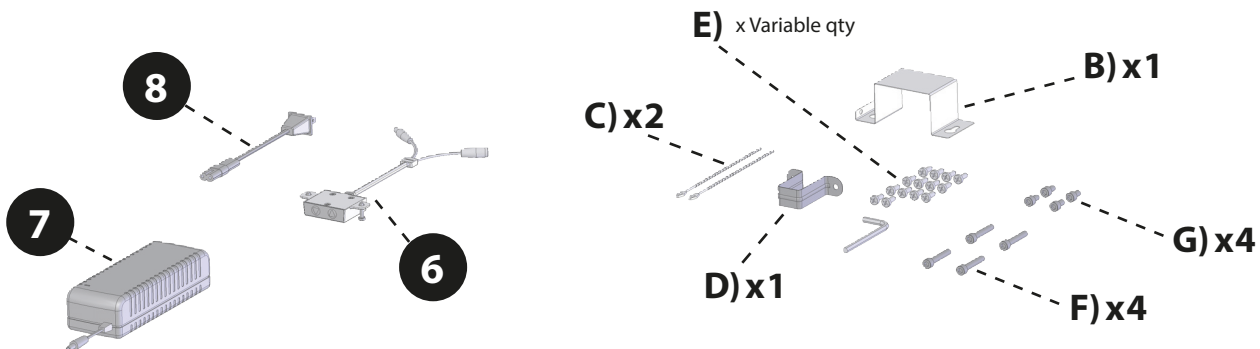
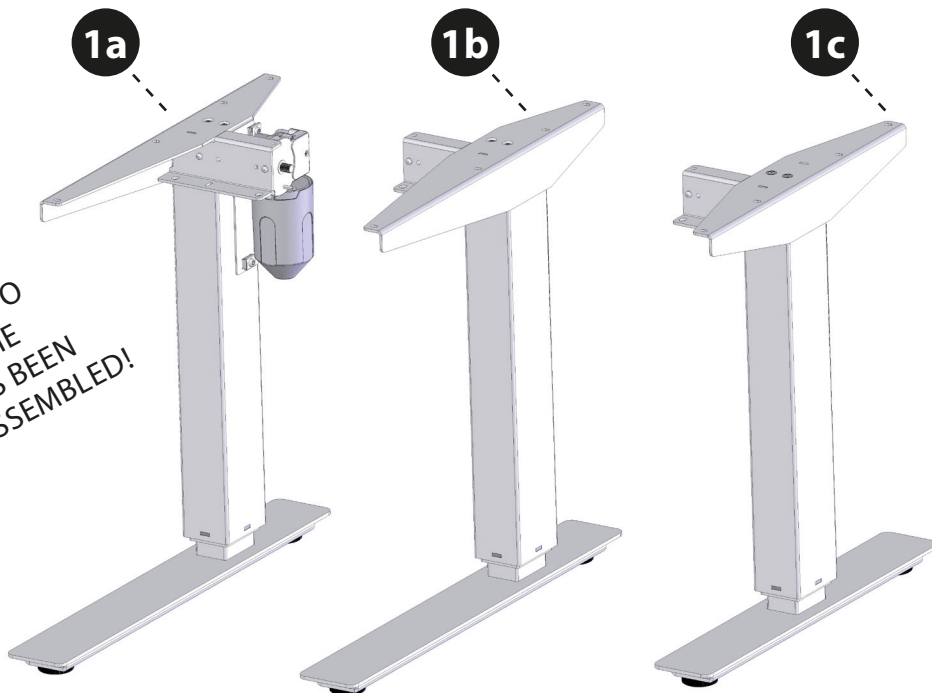
This instruction is a supplement to chapter 7 and 8 in the instruction, which is packed together with the legset



7. PARTS



DO NOT CONNECT TO  
POWER BEFORE THE  
DESK FRAME HAS BEEN  
COMPLETELY ASSEMBLED!

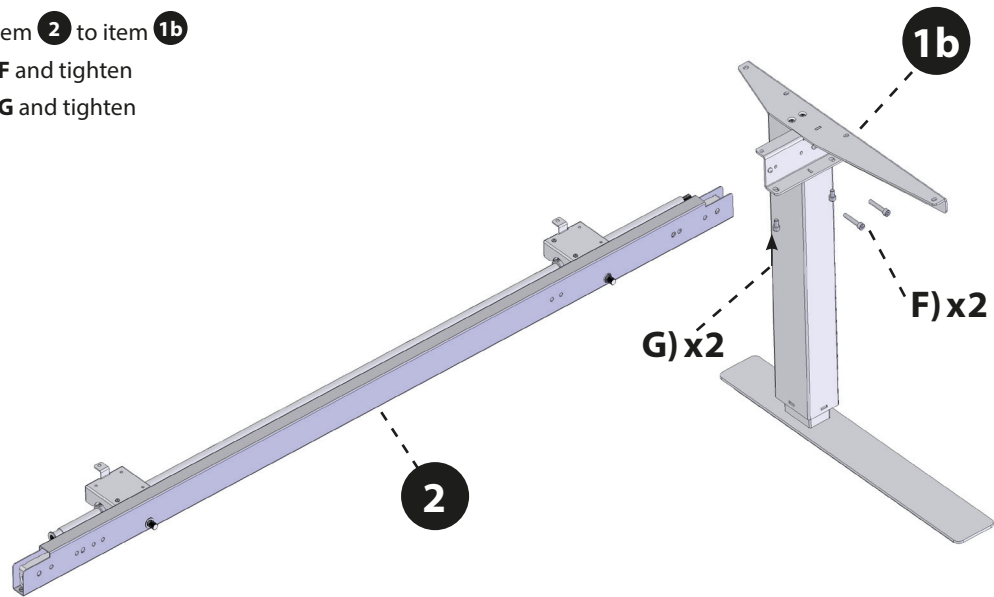


## 8. ASSEMBLY INSTRUCTIONS

– shown assembly for right turned frame

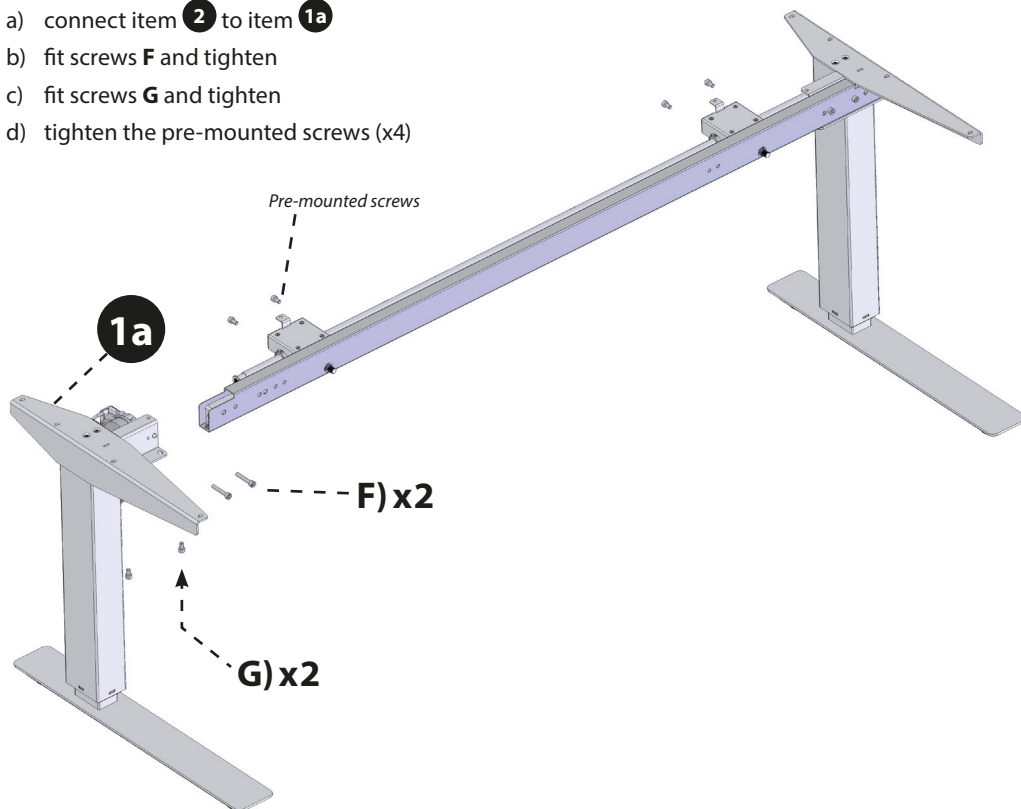
1.

- connect item **2** to item **1b**
- fit screws **F** and tighten
- fit screws **G** and tighten



2.

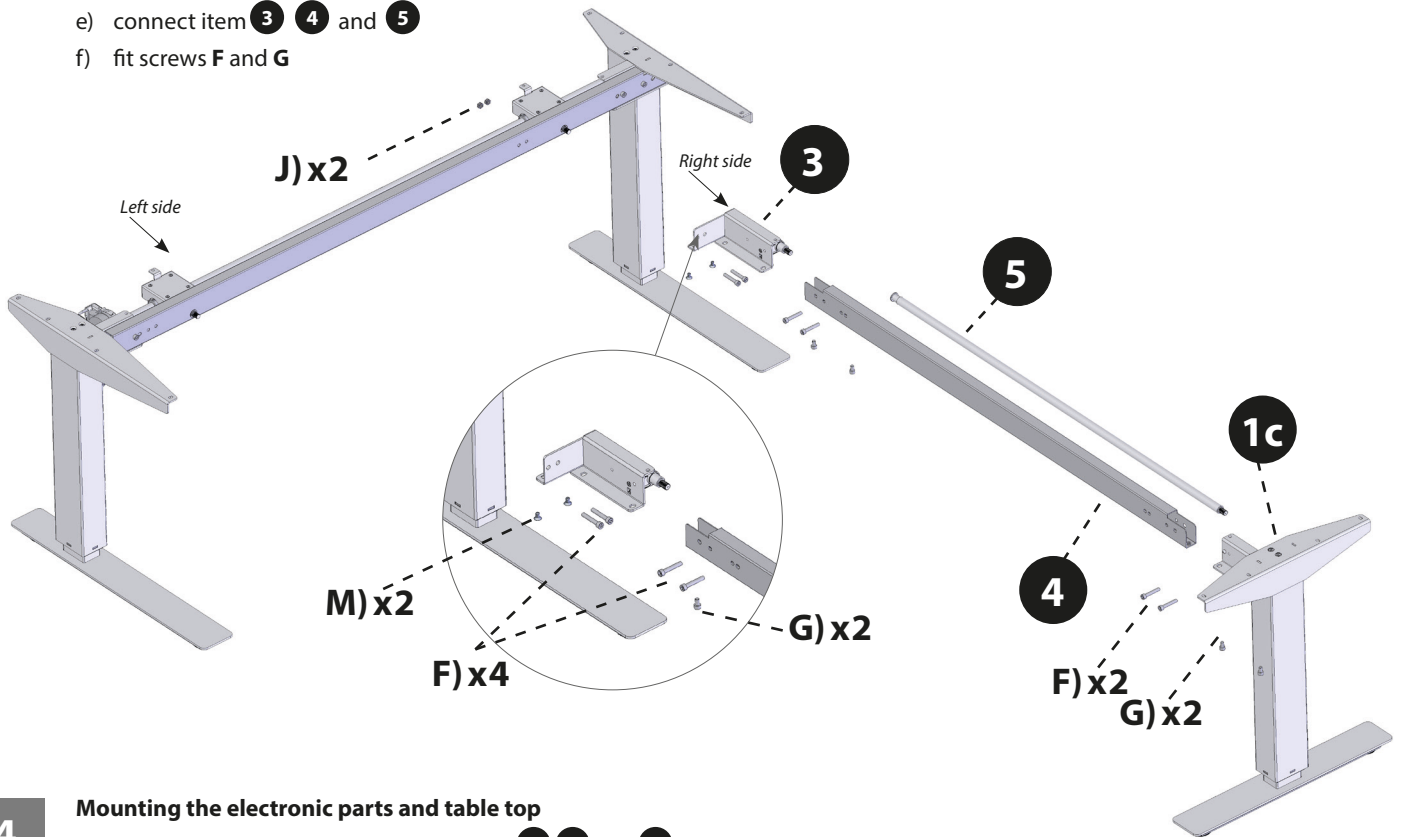
- connect item **2** to item **1a**
- fit screws **F** and tighten
- fit screws **G** and tighten
- tighten the pre-mounted screws (x4)



3.

**Mounting Part 3:** mount to the left side or the right side according to your top

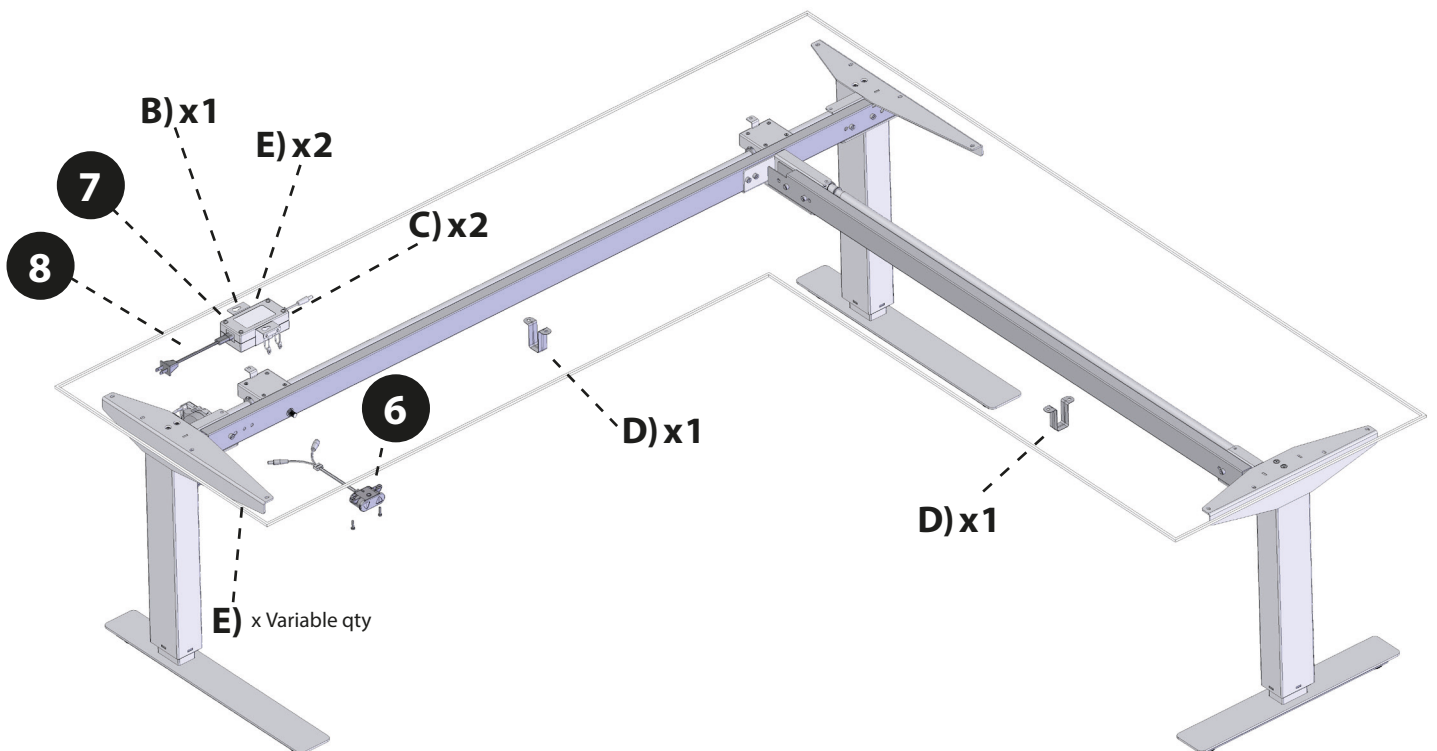
- connect item 3 to item 2
- fit screws and nut F, M and J
- connect item 4 to 1c
- fit screws F and G
- connect item 3, 4 and 5
- fit screws F and G



4.

**Mounting the electronic parts and table top**

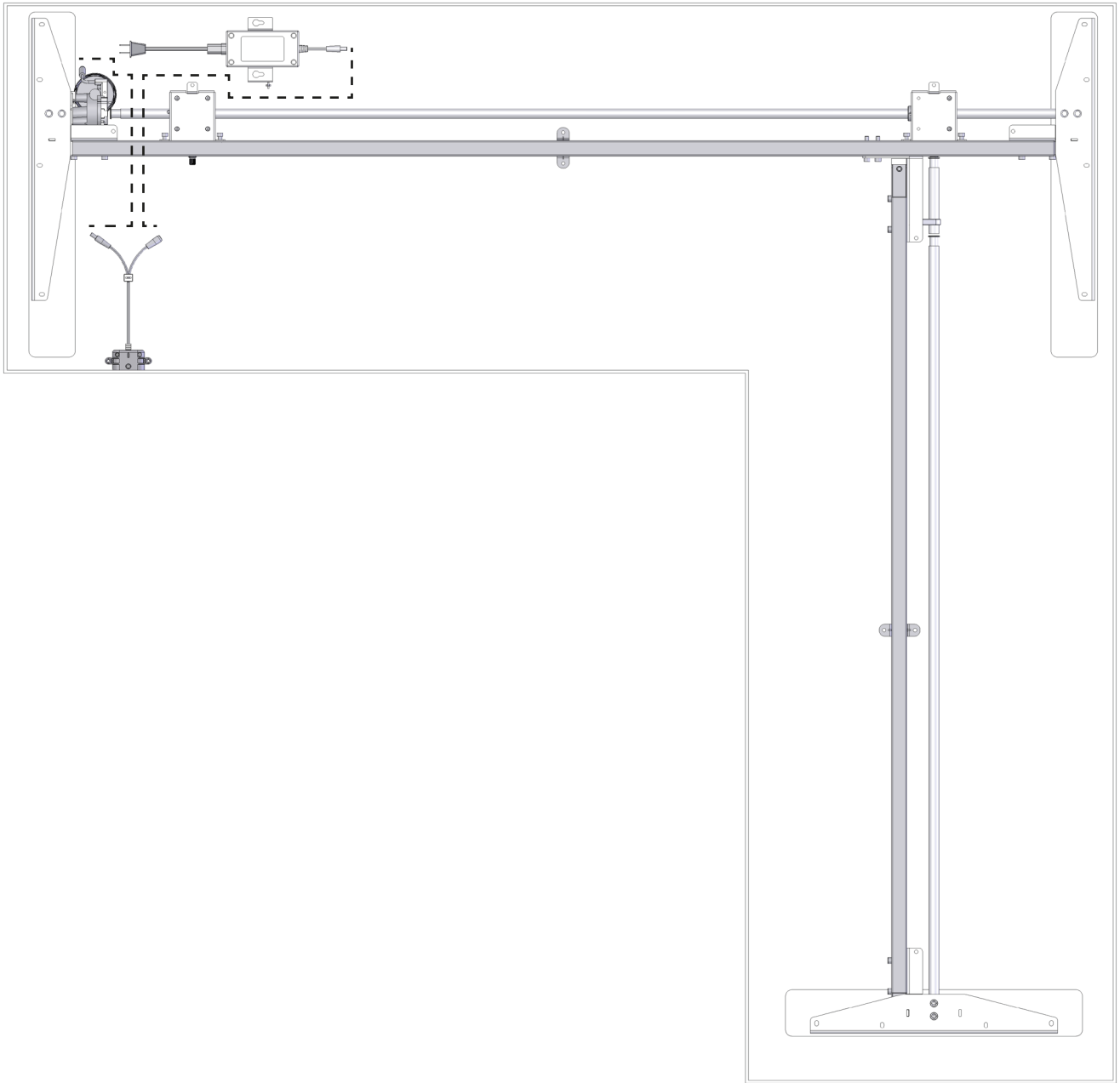
- see the sketch on page 5 to mount item 6, 7 and B in a suitable place
- with the frame in the upright position fit and tighten wood screws E to secure the table top, fit from underneath, the table top must be fitted with the frame fully down, like it comes out the box
- if the assembled desk has to be moved a few cm's into its final place you will need minimum 3 people to lift it holding the frame and to place it back down squarely



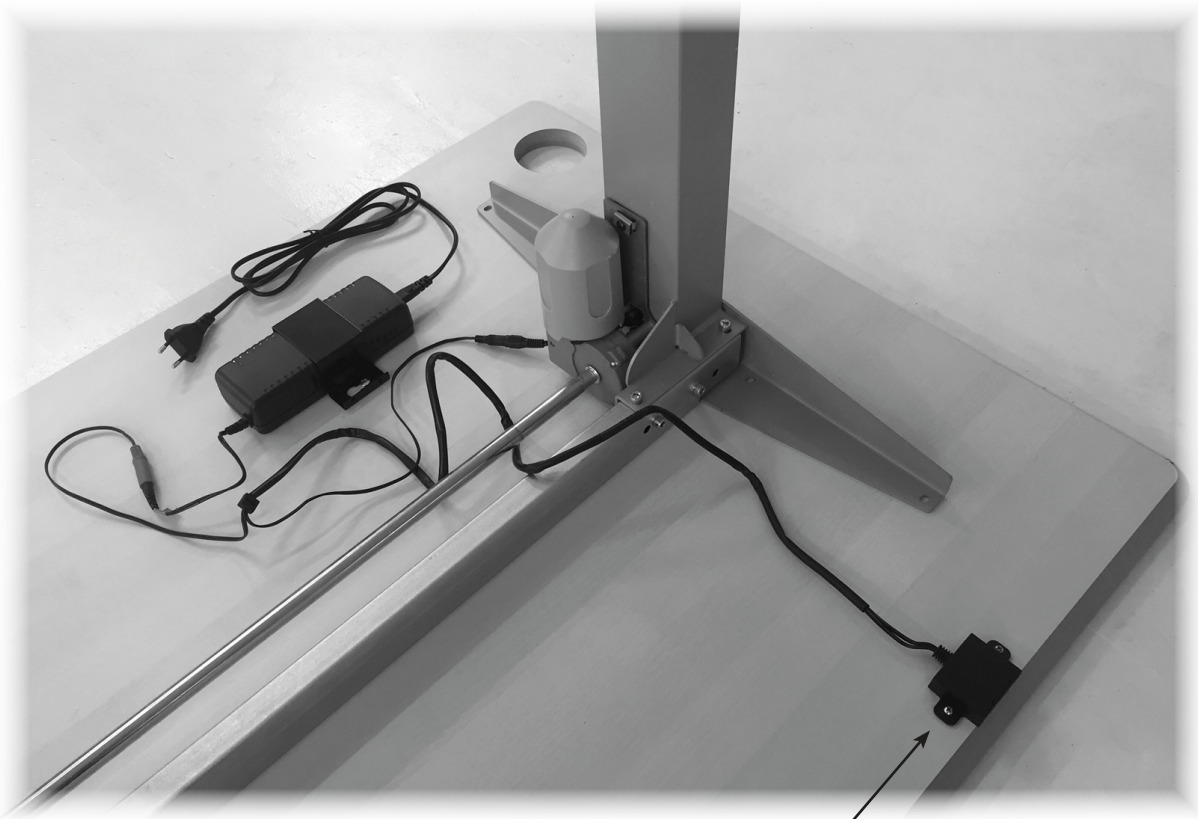
5.

**Wiring**

- a) connect item 1a to item 6
- b) connect item 7 to item 6



6.



SKRUERNE MÅ IKKE SPÆNDES FOR HÅRDT,  
IDET DET KAN SKADE BETJENINGEN AF  
BORDET

DO NOT OVER TIGHTEN THE SCREWS  
SINCE THIS MAY HARM THE FUNCTION  
OF THE CONTROL

ZIEHEN SIE DIE SCHRAUBEN NICHT ZU  
FEST AN DA DIES DIE FUNKTION BEEIN-  
TRÄCHTIGEN KANN DER STEUERUNG

7.

