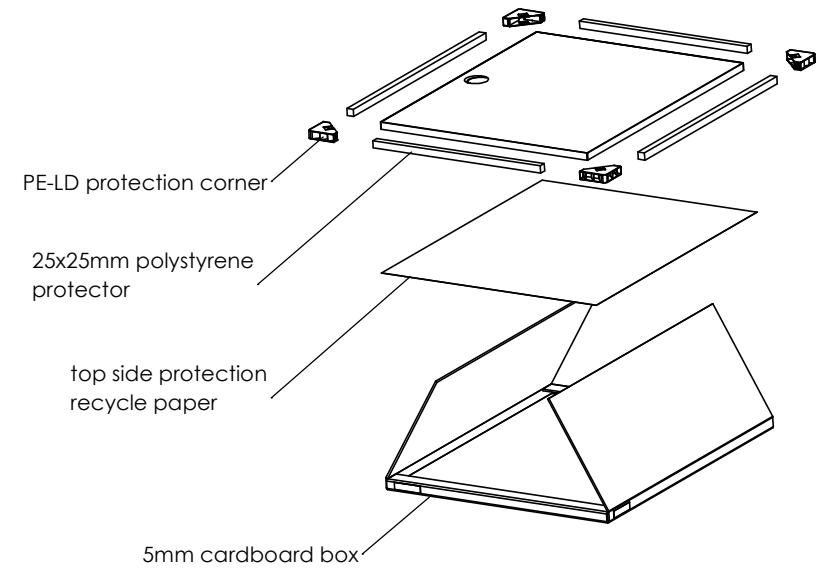


Packing principle



- Core material and density: Chipboard, 600 kg/m<sup>3</sup>
- Edgeband material and thickness: Hard plastic, 2mm
- Grommet material and color: Plastic, black
- Emission level: CARB Phase 2 and TSCA Title VI / E1

CARB Phase 2 and E1 are roughly equivalent standards, where the formaldehyde emission limit for Carb P2 is 0,09ppm and the lowest of the 2 standards. This also mean that E1 limit is meet when CARB P2 is meet. The test methodology differs for the two standards; but both standards regulate formaldehyde to levels that are low and safe.

DO NOT SCALE DRAWING SHEET 1 OF 1				ConSet A/S DK-6900 Skjern www.conset.com	
UNLESS OTHERWISE SPECIFIED: DIMENSIONS ARE IN MILLIMETERS TOLERANCES: LINEAR: According to ANGULAR: DIN 7168-m		NAME	DATE	TITLE:	
		DRAWN	jo	150-60S3 XX	
		WEIGHT			
<b>PROPRIETARY AND CONFIDENTIAL</b> THE INFORMATION CONTAINED IN THIS DRAWING IS THE SOLE PROPERTY OF CONSET A/S. ANY REPRODUCTION IN PART OR AS A WHOLE WITHOUT THE WRITTEN PERMISSION OF CONSET A/S IS PROHIBITED.				DWG NO.	REVISION
				Remarks:	351410