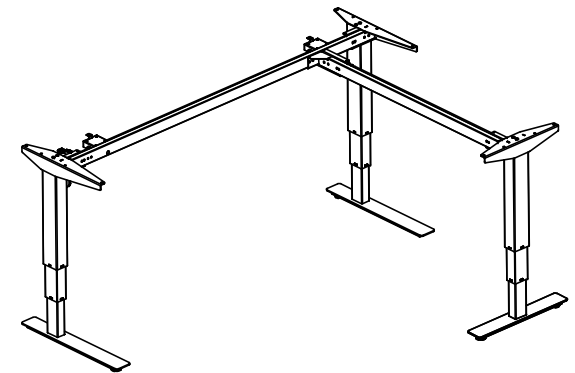


assembled left turned



assembled right turned

DO NOT SCALE DRAWING	SHEET 4 OF 5			<b>ConSet A/S</b> Industrivej 23 DK-6900 Skjern Denmark
UNLESS OTHERWISE SPECIFIED: DIMENSIONS ARE IN MILLIMETERS TOLERANCES: LINEAR: According to ANGULAR: DIN 7168-m	DRAWN	NAME jo	DATE 27-02-2018	TITLE:
	CHECKED	Processes: assembly		501-37 XX172-142A
<b>PROPRIETARY AND CONFIDENTIAL</b> THE INFORMATION CONTAINED IN THIS DRAWING IS THE SOLE PROPERTY OF CONSET A/S. ANY REPRODUCTION IN PART OR AS A WHOLE WITHOUT THE WRITTEN PERMISSION OF CONSET A/S IS PROHIBITED.	DWG NO.			REVISION
	147190			0