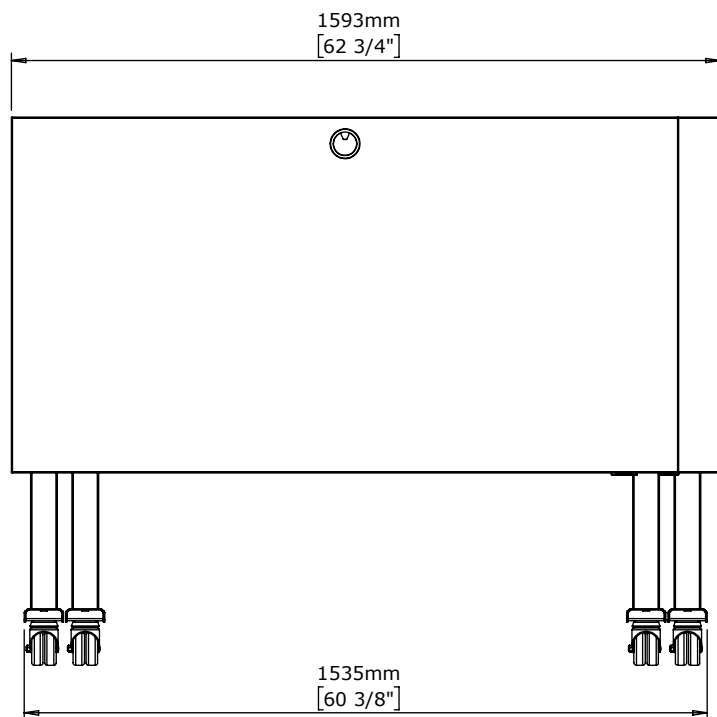
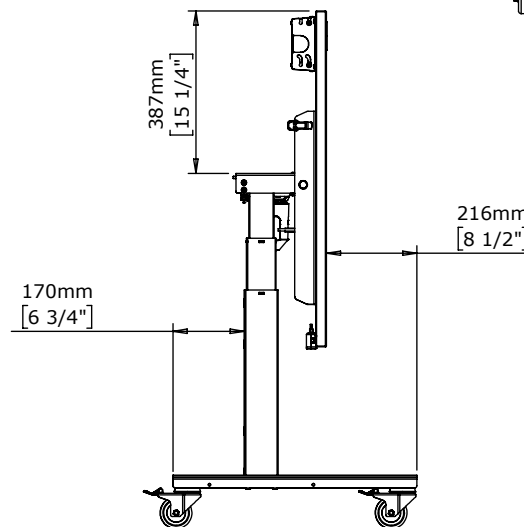
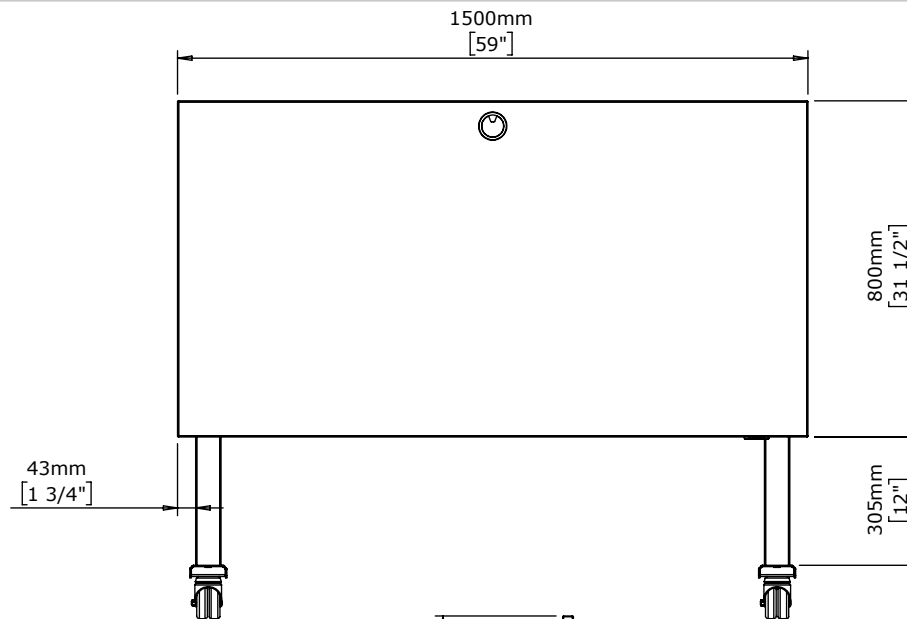
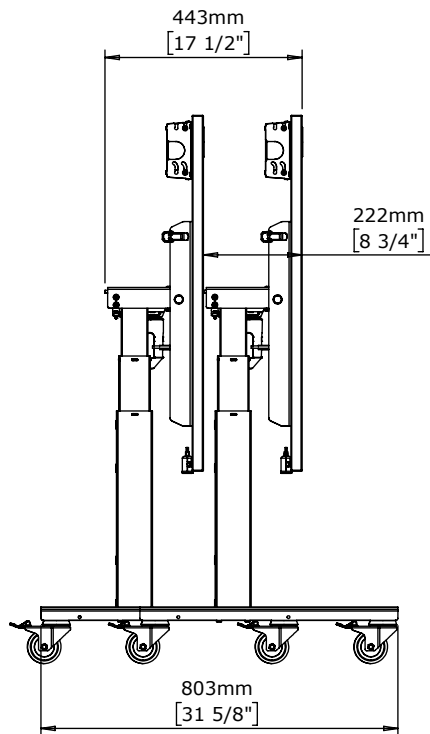

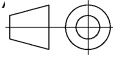


DO NOT SCALE DRAWING SHEET 1 OF 2				ConSet A/S DK-6900 Skjern www.conset.com	
UNLESS OTHERWISE SPECIFIED: DIMENSIONS ARE IN MILLIMETERS TOLERANCES: LINEAR: According to ANGULAR: DIN 7168-m	DRAWN	NAME	DATE	TITLE:	
	WEIGHT	kdj	14.05.2025	501-96 XX142 150-80S3 XX	
PROPRIETARY AND CONFIDENTIAL THE INFORMATION CONTAINED IN THIS DRAWING IS THE SOLE PROPERTY OF CONSET A/S. ANY REPRODUCTION IN PART OR AS A WHOLE WITHOUT THE WRITTEN PERMISSION OF CONSET A/S IS PROHIBITED.				DWG NO.	REVISION
	Remarks:			161700	0



DO NOT SCALE DRAWING SHEET 2 OF 2				ConSet A/S DK-6900 Skjern www.conset.com	
UNLESS OTHERWISE SPECIFIED: DIMENSIONS ARE IN MILLIMETERS TOLERANCES: LINEAR: According to ANGULAR: DIN 7168-m	DRAWN	NAME	DATE	TITLE:	
	WEIGHT	kdj	14.05.2025	501-96 XX142 150-80S3 XX	
PROPRIETARY AND CONFIDENTIAL THE INFORMATION CONTAINED IN THIS DRAWING IS THE SOLE PROPERTY OF CONSET A/S. ANY REPRODUCTION IN PART OR AS A WHOLE WITHOUT THE WRITTEN PERMISSION OF CONSET A/S IS PROHIBITED.				DWG NO.	REVISION
	Remarks:			161700	0